

ORIGINAL ORIGINAL

3

FED. SUP CLASS
5310

USER ACTIVITIES:
ARMY-AT, ME
NAVY-AS, MC, SH
NSA-NS

REVIEWER ACTIVITIES:
ARMY-AVEA, MI
AIR FORCE-11, 82
DLA-IS

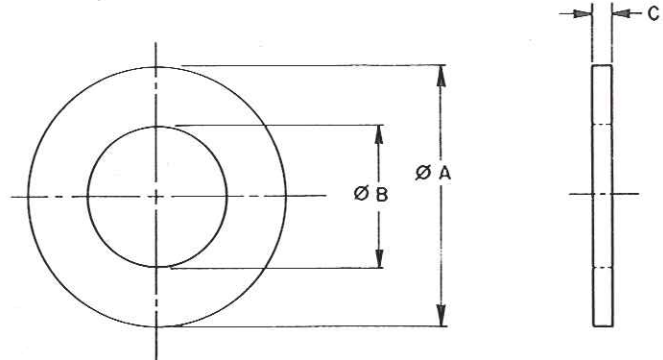
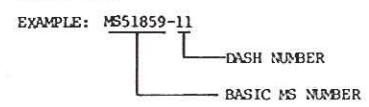


TABLE I. DASH NUMBERS AND DIMENSIONS

DASH NUMBER	NOMINAL SIZE	$\varnothing A$			$\varnothing B$			C THICKNESS		
		NOM	MAX	MIN	NOM	MAX	MIN	NOM	MAX	MIN
-11	.060	.188	.203	.183	.063	.068	.060	.020	.024	.016
-12	.073	.156	.162	.150	.076	.079	.073	.020	.024	.016
-1	.086	.188	.203	.183	.093	.098	.090	.031	.035	.025
-13	.086	.250	.260	.245	.093	.098	.090	.016	.021	.011
-2	.112	.281	.297	.275	.125	.127	.115	.047	.049	.031
-14	.112	.343	.350	.338	.125	.127	.115	.031	.035	.025
-3	.138	.312	.328	.305	.156	.160	.140	.047	.049	.031
-15	.138	.250	.260	.245	.156	.160	.140	.020	.024	.016
-4	.164	.375	.406	.365	.187	.192	.170	.047	.065	.031
-5	.190	.438	.469	.425	.218	.225	.200	.047	.065	.031
-16	.190	.625	.688	.600	.218	.225	.200	.047	.065	.040
-6	.250	.625	.688	.600	.281	.290	.260	.047	.065	.040
-17	.250	.562	.572	.550	.281	.290	.260	.062	.070	.056
-18	.250	.875	.890	.860	.281	.290	.260	.031	.035	.025
-7	.312	.688	.708	.678	.344	.355	.334	.047	.065	.040
-19	.312	.500	.520	.490	.317	.327	.314	.031	.035	.025
-8	.375	.812	.832	.802	.406	.420	.396	.047	.065	.040
-20	.375	1.000	1.020	.990	.406	.420	.392	.080	.090	.070
-9	.438	.922	.942	.912	.469	.484	.459	.047	.065	.040
-21	.438	1.750	1.760	1.740	.469	.480	.460	.031	.041	.021
-10	.500	1.062	1.082	1.052	.531	.546	.521	.047	.065	.040
-22	.500	1.620	1.630	1.610	.531	.546	.521	.020	.025	.015
-23	.625	1.500	1.520	1.510	.556	.665	.645	.062	.080	.050

REQUIREMENTS:

- MATERIAL:** PLASTIC, POLYAMIDE (NYLON) IN ACCORDANCE WITH L-P-410, TYPE 6/6 OR ASTM D4066, PA111.
- PART NUMBER:** THE PART NUMBER SHALL CONSIST OF THE BASIC MS NUMBER FOLLOWED BY A DASH NUMBER FROM TABLE I.



MS51859-11 INDICATES: WASHER, FLAT-PLASTIC (NYLON); .060 NOMINAL SIZE; .188 OUTSIDE DIAMETER NOMINAL; .063 INSIDE DIAMETER NOMINAL; .020 THICKNESS NOMINAL.

NOTES:

- ALL DIMENSIONS ARE IN INCHES.
- IN THE EVENT OF A CONFLICT BETWEEN THE TEXT OF THIS STANDARD AND THE REFERENCES CITED HEREIN, THE TEXT OF THIS STANDARD SHALL TAKE PRECEDENCE.
- REFERENCED GOVERNMENT (OR NONGOVERNMENT) DOCUMENTS OF THE ISSUE LISTED IN THAT ISSUE OF THE DEPARTMENT OF DEFENSE INDEX OF SPECIFICATIONS AND STANDARDS (DODISS) SPECIFIED IN THE SOLICITATION FORM A PART OF THIS STANDARD TO THE EXTENT SPECIFIED HEREIN.

ENTIRE STANDARD REVISED

DISTRIBUTION STATEMENT A. Approved for public release; distribution is unlimited.
This military standard is approved for use by all Departments and Agencies of the Department of Defense.
Selection for all new engineering and design applications and for repetitive use shall be made from this document, when applicable.

P. A. ARMY-AR Other Cust AIR FORCE-99	INTERNATIONAL INTEREST	TITLE WASHER, FLAT-PLASTIC (NYLON)	MILITARY STANDARD MS 51859
PROCUREMENT SPECIFICATION FF-W-92	SUPERSEDES:	PAGE 1 OF 1	

APPROVED 3 JUL 69
REVISED (B) 20 MAY 67